

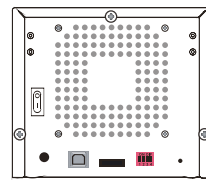
# edgestore

## DAS200

### 2 bay storage with RAID

This 2 bay DAS (Direct Attached Storage) device simply connects to your Notebook via its fast USB2 connection, allowing the user to expand their storage capacity. For extra safety you can simply flick a switch and the unit will automatically build a RAID 1 Array (\*Mirrored). It supports up to two SATA 3Gb/s drives (not included) which can be easily installed without the need for a screwdriver. This small quiet device is quick and easy to install and provides enterprise data security for notebook users.

\*2 hard disk drives need to be installed.



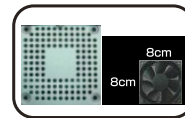
## features

- Ideal for Notebook Computers
- Very Quiet Operation
- Raid Backup - Mirror Image
- Combine Mode to Maximise Capacity
- SATA Drives only
- Supports eSATA and USB
- Compact Size
- 60 watts switching power.



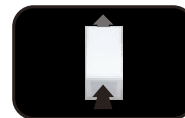
### Fast Installation

Install HDD to backplane Directly without cable and tool.



### Quiet 8cm fan

Quiet 8cm fan



### Air Flow

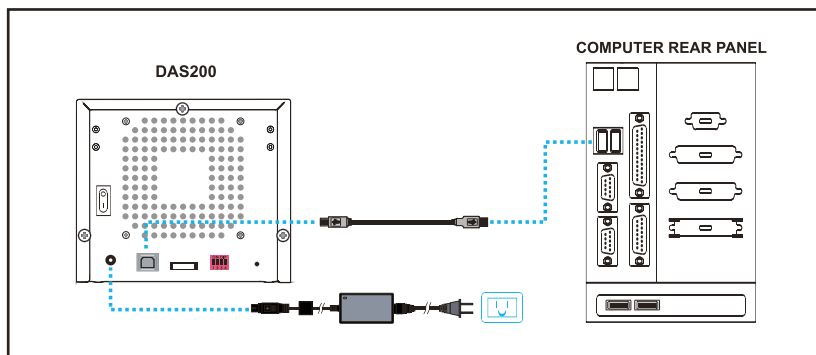
Ensure low noise and cool running



### Smart ON/OFF

Simply setup HDD mode by DIP Switch and reset button

## HARDWARE CONNECTION DIAGRAM



### Dimensions :

GW : 1.5Kgw  
Width : 135mm  
Height : 120mm  
Depth : 255mm

### SYSTEM REQUIRMENT

- Windows 2000/ XP/ Vista/ Server 2003, 32-bit.
- Windows XP/ Vista/ Server 2003, 64-bit.
- Macintosh OS 10.3.x/ 10.4.x.



[www.edge10.de](http://www.edge10.de)

